

ELECTRICAL CHARACTERISTICS

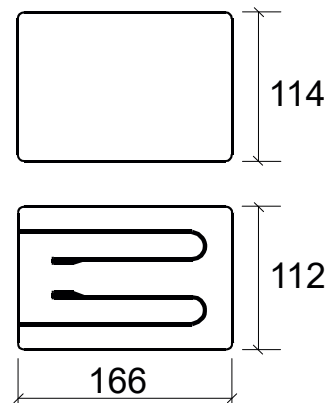
| | |
|--|--------|
| - NOMINAL VOLTAGE | 9 V |
| - NOMINAL CAPACITY | 45 Ah |
| - NOMINAL ENERGY | 350 Wh |
| - MAXIMUM CONTINUOUS AVERAGE CURRENT | 50 mA |
| - MAXIMUM INTERMITTENT DISCHARGE CURRENT (Discharge rate <1') | 200 mA |
| - MAXIMUM PULSE DISCHARGE CURRENT (Discharge rate <1") | 400 mA |
| - MAXIMUM CAPACITY USABLE PER HOUR FOR INTERMITTENT AND PULSE DISCHARGE | 38 mAh |



350611



360060



PHYSICAL CHARACTERISTICS

| | |
|-------------------------------|----------------------|
| - DIMENSIONS: Length | 166 mm |
| Width | 112 mm |
| Height | 114 mm |
| - NET WEIGHT | 1,5 Kg |
| - VOLUME | 2,12 dm ³ |
| - CASE MATERIAL | Plastic* |
| - TERMINALS | N°4 |
| - GUARANTEED SHELF LIFE | 2 Years |
| - MERCURY CONTENT | None |
| - CADMIUM CONTENT | None |

| CAPACITY | | | | |
|----------|----------------|--------------|---------------|-------------------------------|
| USE | Conditions | | | MINIMUM AVERAGE CAPACITY (Ah) |
| | Resistance (?) | Daily period | End Point (V) | |
| FAST | 240 | 24 h | 5,4 | 43 |
| NORMAL | 400 | 14 h | 5,4 | 43 |

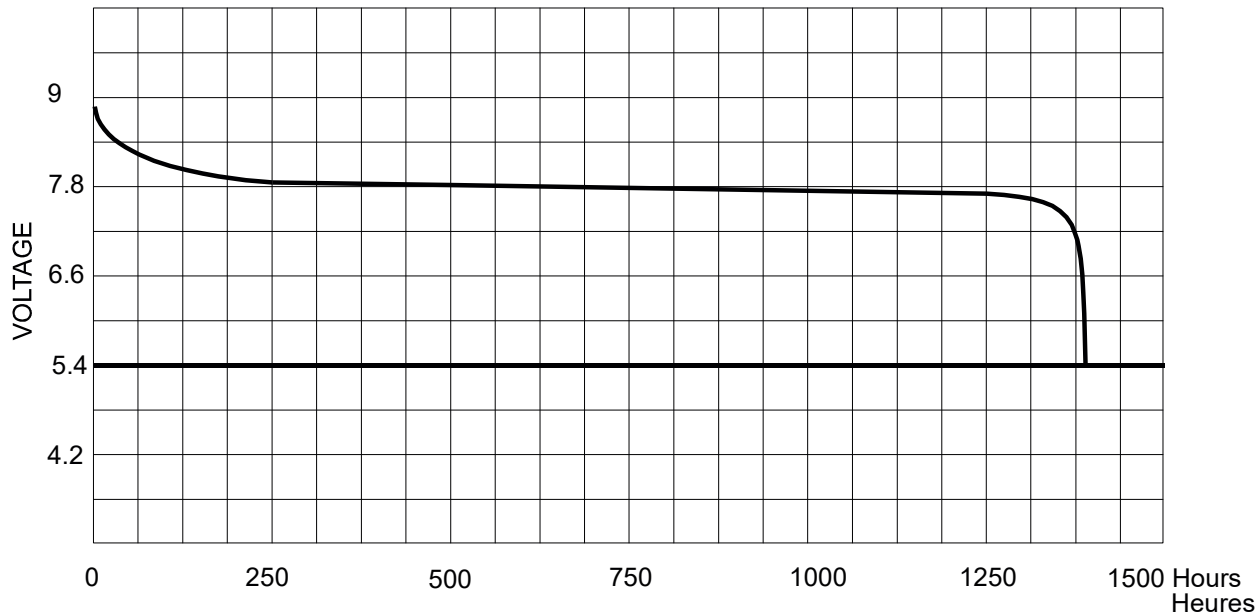
* Hight impact polystyrene.

350611, 360060

TYPICAL HEAVY SERVICE DISCHARGE / COURBE DE DÉCHARGE POUR RÉGIME FORT

240 ? - 24 HOURS / DAY - CUT OFF 5,4 VOLTS

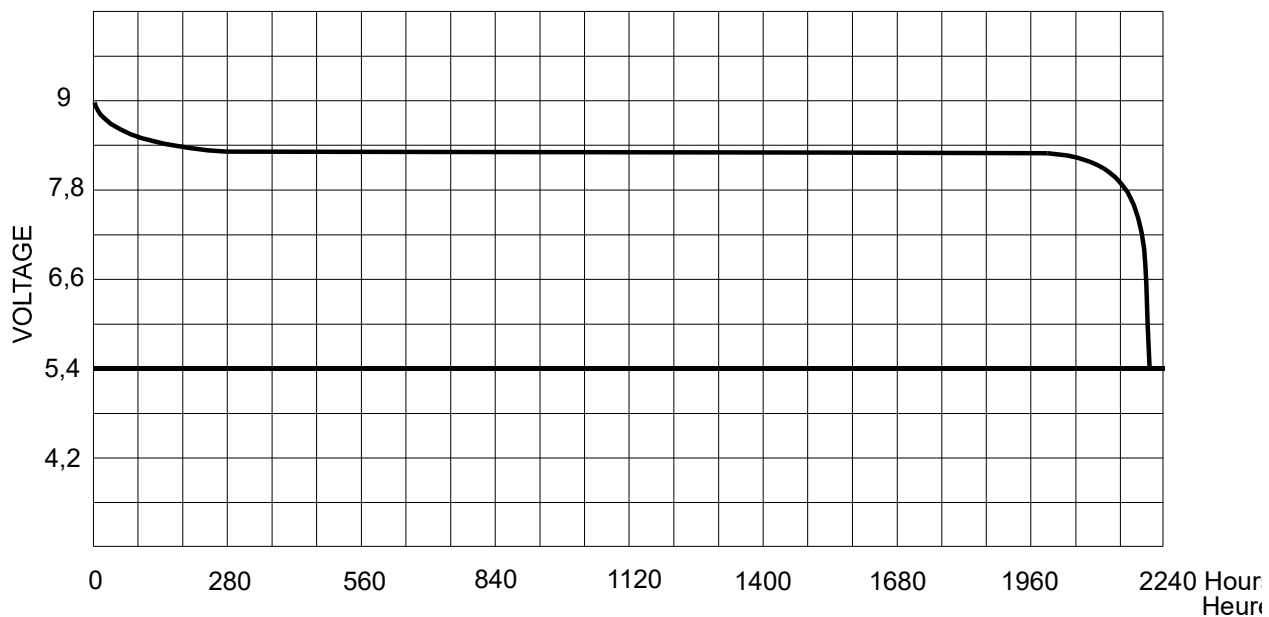
240 ? - 24 HEURES / JOUR - TENSION D'ARRÊT 5,4 VOLTS



TYPICAL LIGHT SERVICE DISCHARGE / COURBE DE DÉCHARGE POUR RÉGIME LENT

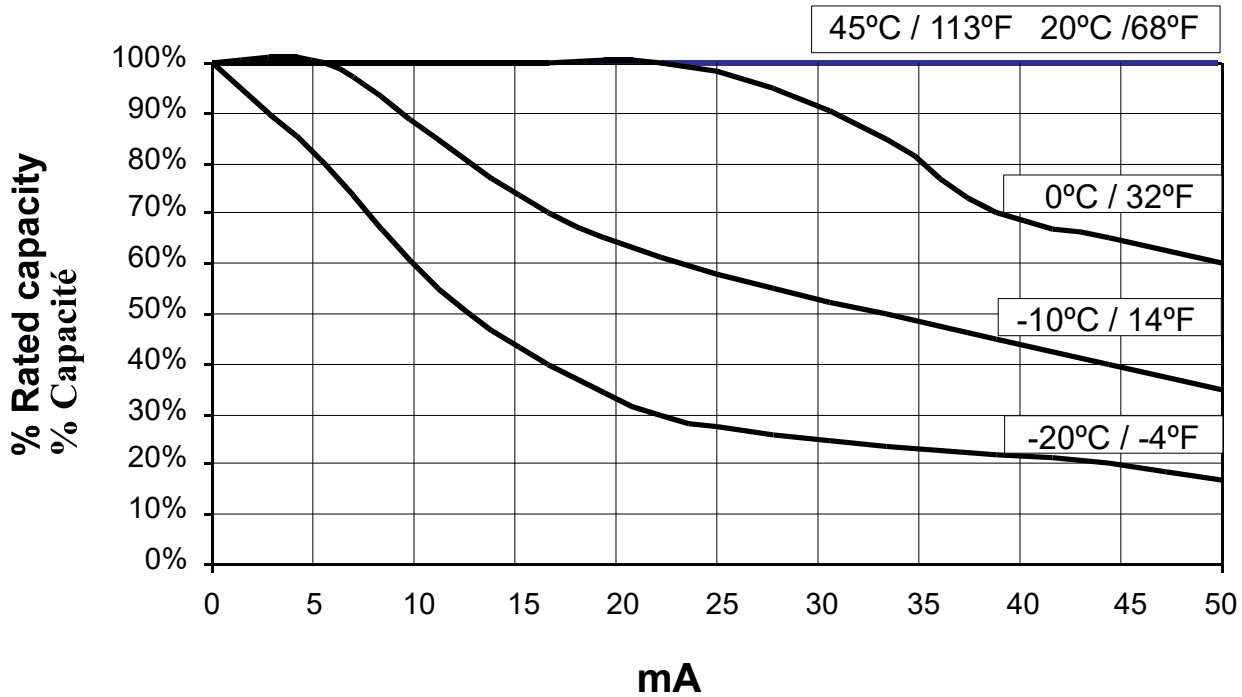
400 ? - 14 HOURS / DAY - CUT OFF 5,4 VOLTS

400 ? - 14 HEURES / JOUR - TENSION D'ARRÊT 5,4 VOLTS



350611, 360060

CAPACITY AS A FUNCTION OF TEMPERATURE AND DUTY
CAPACITÉ EN FONCTION DE LA TEMPÉRATURE ET DU RÉGIME



CAPACITY AS A FUNCTION OF SHELF LIFE
CAPACITÉ EN FONCTION DE LA CONSERVATION

| YEARS <i>ANNÉES</i> | CAPACITY <i>CAPACITÉ</i> Ah |
|------------------------|-----------------------------------|
| 1 | 42 |
| 2 | 41 |